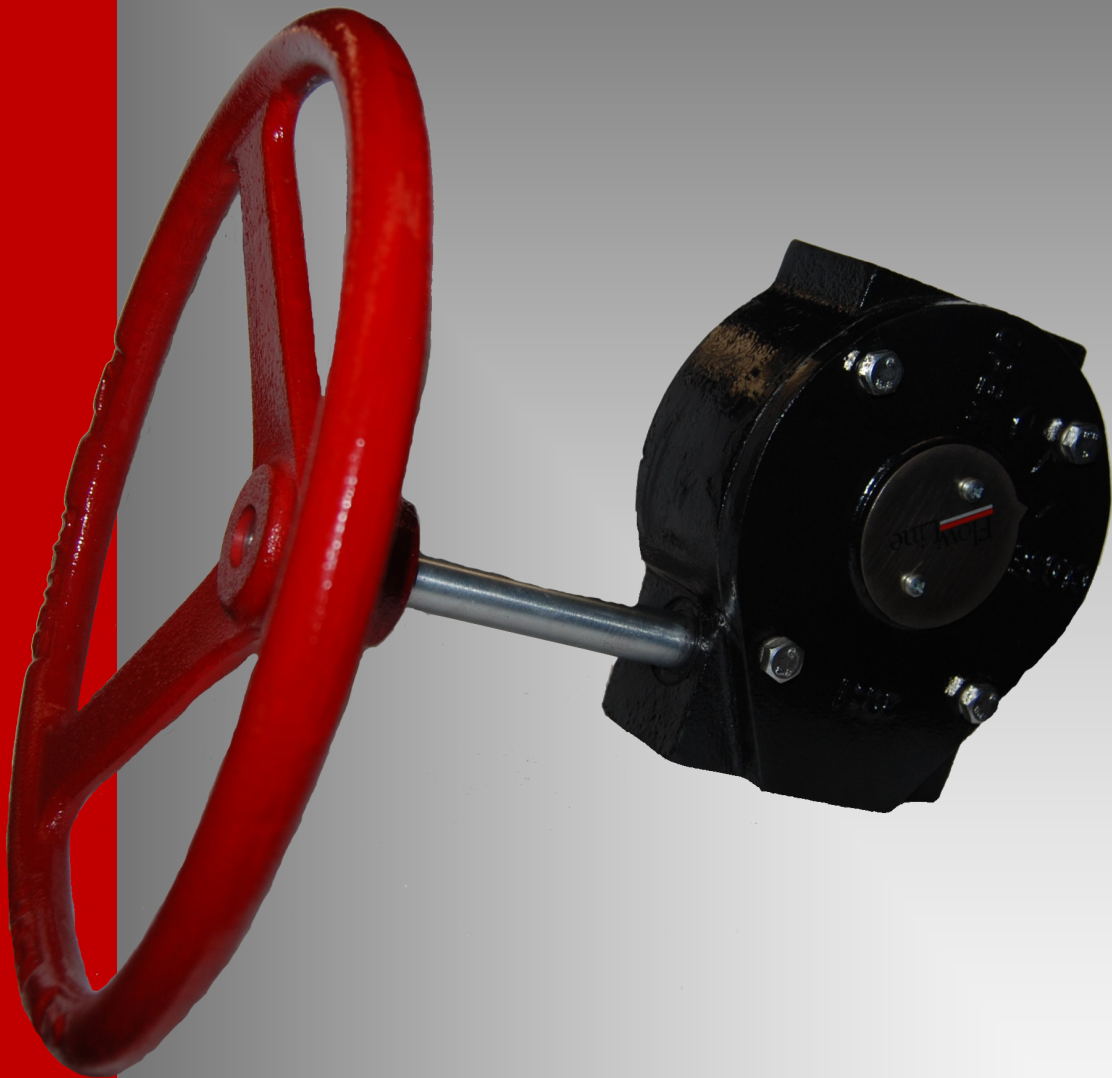


# Flow Line



***Gear Operator***

***Series 15***

Sizes 2" - 10"

# Series 15 Gear Operator

The Series 15 Gear Operators have worm gear drive ensuring pipeline valve fluid flow does not alter valve position. They direct-mount without brackets and couplings on butterfly and ball valves with ISO 5211 mounting pad and shaft dimensions. The series 15 Gear Operators are compact, lightweight, and feature smooth operation.

## Specifications: Part 15-00204 to 15-00210

**Housing and Handwheel:** Ductile Iron

**Hardware:** Carbon Steel

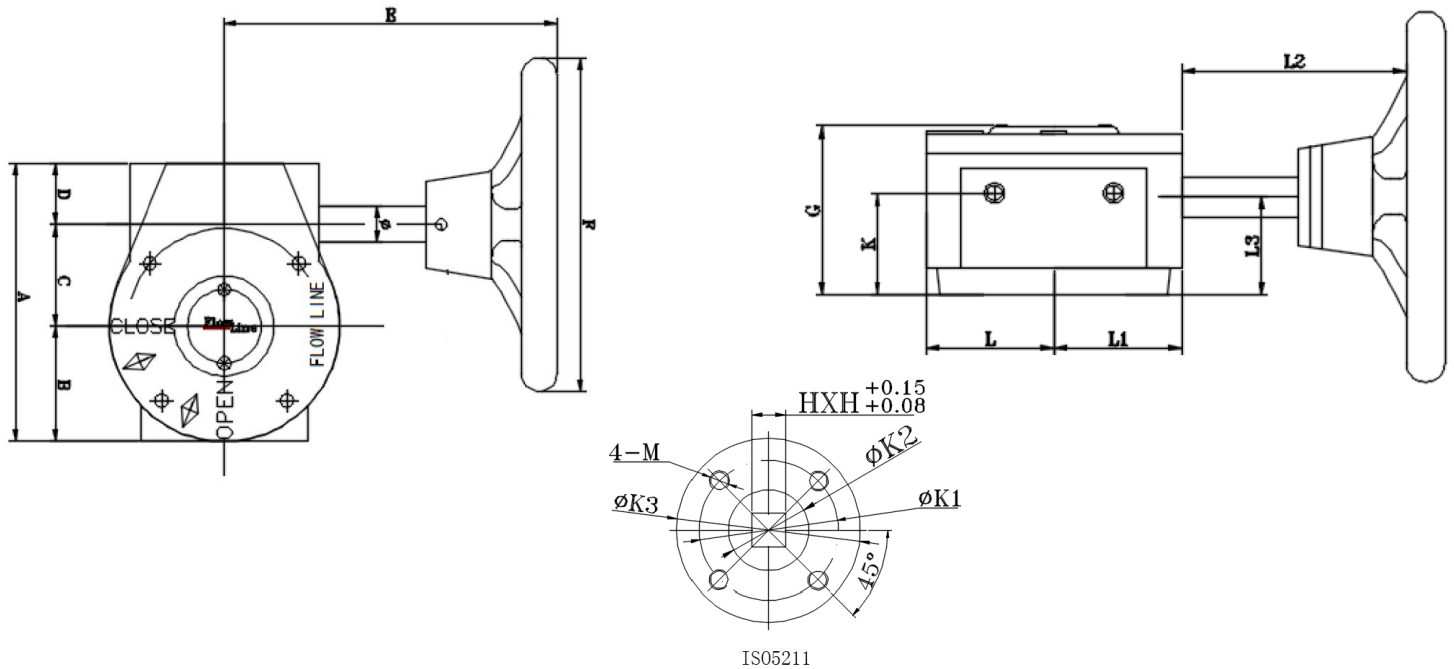
**Worm Gear and Spur Gear:** Forged Steel

**Drive:** Female Square, ISO 5211

**Indicator:** Carbon Steel

**Mounting Patterns:** ISO 5211

## Engineering



Size	Part #	Ratio	A	B	C	D	E	F	G	H*H	K	L	L1	L2	L3	ISO5211	K	K1	K2	Ø	Mounting	Torque Output
2"-4"	15-00204	24:1	4.88	2.00	1.77	1.10	6.14	7.48	2.56	14*14	1.57	2.05	2.05	4.05	1.57	F07	2.76	2.76	1.77	0.63	4-M8	1328
5"-6"	15-00206	24:1	4.88	2.00	1.77	1.10	6.14	7.48	2.56	17*17	1.57	2.05	2.05	4.05	1.57	F07	2.76	2.76	1.77	0.63	4-M8	1328
8"-10"	15-00210	30:1	6.73	2.87	2.6	1.14	9.25	11.37	3.15	22*22	1.73	2.87	2.87	6.41	1.73	F10	4.01	4.01	1.89	0.75	4-M10	4425

\*Valve sizes are based on Flow Line Valve and Controls butterfly valves

Dimensions: Inches unless otherwise noted