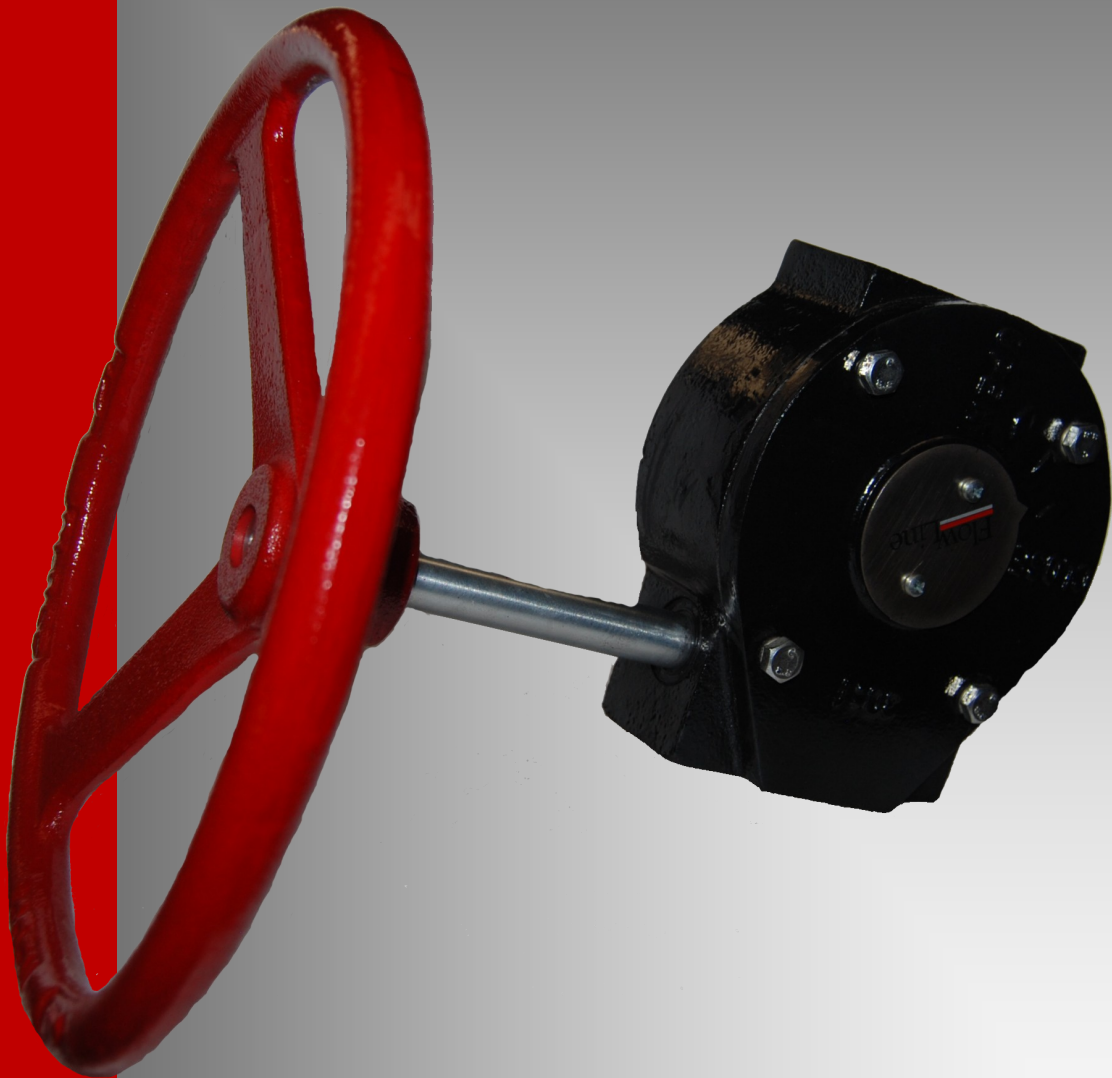


Flow Line



Gear Operator

Series 15

Sizes 12" - 14"

Series 15 Gear Operator

The Series 15 Gear Operators have worm gear drive ensuring pipeline valve fluid flow does not alter valve position. They direct-mount without brackets and couplings on butterfly and ball valves with ISO 5211 mounting pad and shaft dimensions. The series 15 Gear Operators are compact, lightweight, and feature smooth operation.

Specifications: Part 15-00212 to 15-00214

Housing and Handwheel: Ductile Iron

Hardware: Carbon Steel

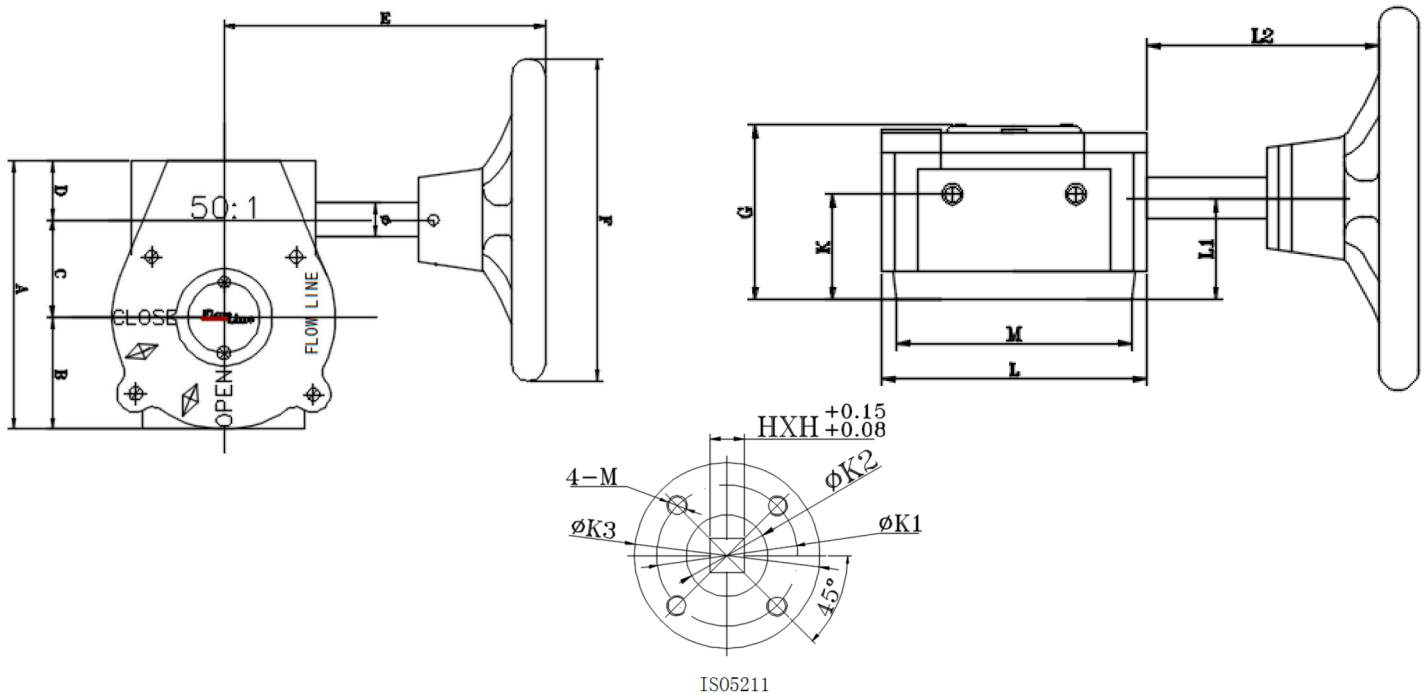
Worm Gear and Spur Gear: Forged Steel

Drive: Female Square, ISO 5211

Indicator: Carbon Steel

Mounting Patterns: ISO 5211

Engineering



Size	Part #	Ratio	A	B	C	D	E	F	G	H*H	K	L	L1	L2	ISO5211	K1	K2	K3	M	Ø	Mounting	Torque Output
12"	15-00212	50:1	7.52	3.15	3.07	1.30	9.13	11.41	3.27	22*22	2.36	6.18	2.32	5.78	F12	4.92	2.76	6.02	6.02	0.75	4-M12	10621
14"	15-00214	50:1	7.52	3.15	3.07	1.30	9.13	11.41	3.27	27*27	2.36	7.01	2.32	5.78	F14	5.51	2.76	6.89	6.89	0.75	4-M16	10621

*Valve sizes are based on Flow Line Valve and Controls butterfly valves

Dimensions: Inches unless otherwise noted